

**⚠ WARNING:** Airsoft guns are not toys. Misuse or careless use may cause serious injury, especially to the eye. Eye protection designed for airsoft guns must be worn by the user and any person in range. May be dangerous up to 100 yds (91.44m). Read owner's manual before using.

**⚠ WARNING:** Do not brandish or display this airsoft gun in public it may confuse people and may be a crime. Police and others may think it is a firearm. Do not change the coloration and markings to make it look more like a firearm. That is dangerous and may be a crime.  
Buyer and user have the duty to obey all laws about the use and ownership of this airsoft gun.

**⚠ WARNING:** This product may contain one or more chemicals known to the state of California to cause cancer and birth defects or other reproductive harm. Wash hands after handling.

Your airsoft gun was designed to work with Valken branded airsoft ammunition. Use of other ammunition may cause your gun to malfunction and may void your warranty.

## GUIDELINES

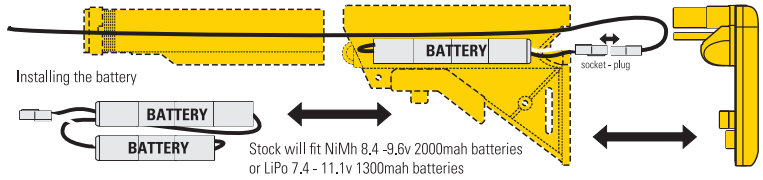
1. Handle and operate the airsoft gun safely.
2. Select safe and proper targets.
3. Care for and maintain the gun properly.
4. Store the gun unloaded in a safe and proper manner, and check to see that the gun is unloaded when removed from storage or received from another person.
5. Treat every airsoft gun as if it were loaded. Using a barrel cover is recommended.
6. Always wear eye protection designed for airsoft guns when handling or shooting or in range of any airsoft gun, and wear them over prescription glasses.
7. Keep your finger off the trigger until ready to shoot.
8. Never point the airsoft gun at anything you do not wish to shoot.
9. Keep the airsoft gun on safe until ready to shoot.
10. Avoid ricochet. Never shoot at a hard or flat surface or at water.
11. Backstops should be inspected for wear before and after each use. Discontinue use if the backstop surface shows signs of failure. Since backstop surfaces eventually fail, always place the backstop in a location that will be safe should the backstop fail. Discontinue the use of a backstop if the projectile rebounds or ricochets.
12. Perform routine inspection and maintenance, including:
  - a. The airsoft gun was modified internally. Modification of the gun's internal mechanisms may cause it to malfunction. Such tampering with an airsoft gun may make it unsafe to use.
  - b. The airsoft gun suddenly operates differently. Any change in the performance, such as lowered trigger force and shortened trigger travel, grinding, or severely lowered FPS indicates possible wear and that such guns should be inspected, replaced, or properly repaired. Repairs should only be performed by qualified personnel.
  - c. If the airsoft gun is dropped or externally damaged. Check any gun that has been dropped to ensure that its function has not been affected.
  - d. Information shall be included to indicate how to obtain service and locate authorized repair shops.

## VALKEN ONE YEAR WARRANTY

Your Valken AEG is warranted to be free of defects in materials and workmanship for one year to the original owner. This warranty does not cover damages due to fair wear and tear, failure to provide routine maintenance, and does not include batteries or accessories. A copy of the original proof of purchase clearly stating the date of purchase is required to make any claim under this warranty. This warranty lasts for twelve months from the date of purchase and applies to the original purchaser, and is not transferable. In the event of a defect under this warranty, we will, at our option, repair or replace the product for the first 90 days provided our inspection indicates that an original defect exists: after the initial 90 days and up to twelve months, Valken will supply replacement parts to the original purchaser via surface mail at no charge. Valken reserves the right to replace any product which is no longer available with a product of comparable value and function. If Valken determines the repair is not covered under the warranty guidelines, there could be a charge to you for the cost of the repair and or any required parts. This is a limited warranty and does not cover damages caused by misuse, improper handling or installation or maintenance provided by someone other than Valken Incorporated. Any modifications made to this product may result in this warranty being null and void.

This limited warranty does not include consequential damages, incidental damages, or incidental expenses, including damage to property or any other expense. Valken disclaims any implied warranties. Some states do not allow the exclusion or limitation of incidental or consequential damages, or allow limitations on implied warranties so the above limitations or exclusions may not apply to you. This warranty gives you specific legal rights, and you may also have other rights which vary from state to state and country to country.

## INSTALLING THE BATTERY

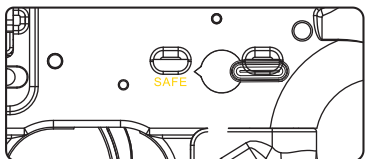


Installing the battery

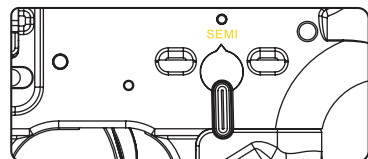
Stock will fit NiMH 8.4 - 9.6v 2000mah batteries  
or LiPo 7.4 - 11.1v 1300mah batteries

**WARNING:** Always use the proper charger with your battery. Using the improper battery can cause damage or serious injury.

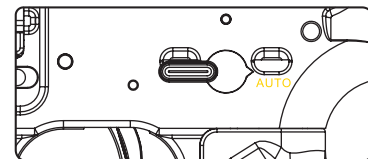
## SAFETY AND FIRE SELECTOR



Safety Setting: The trigger can not be pulled. Always set the lever to SAFE position when the AEG is not in use.



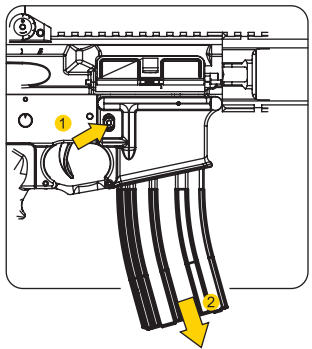
Semi Auto: Single shot. The AEG will fire one shot each time the trigger is pulled.



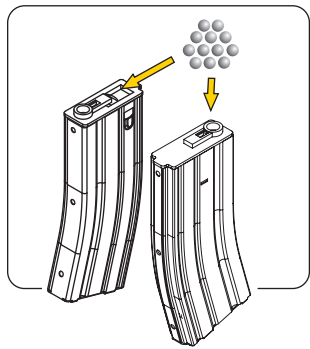
Full Auto: Automatic shot. The AEG will fire continuously while the trigger is depressed.

**WARNING:** Always use the proper eye protection and use the safety when not in play. Using a barrel cover is recommended. Keep your finger off the trigger until ready to shoot.

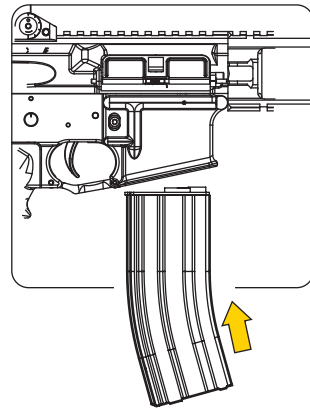
## LOADING THE MAGAZINE



Press the magazine release button to remove the magazine.



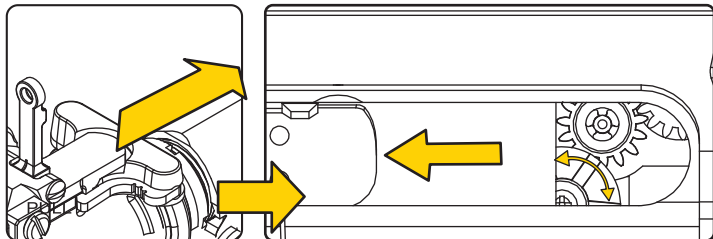
Use only high quality 6mm Valken BB's with the magazine. The magazine will hold up to 300 BBs.



Make sure to set the magazine upwards and connect it firmly until a click sound is heard.

**WARNING:** Always use high quality 0.20 gram or heavier BBs. Using low quality BBs may cause damage to your AEG.

## ADJUSTING THE HOP UP

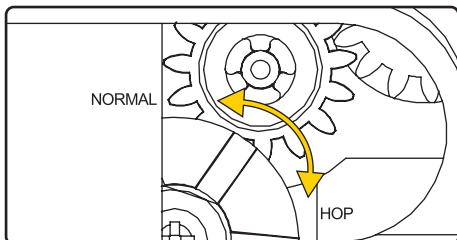


Pull the charging handle back, to open the bolt.

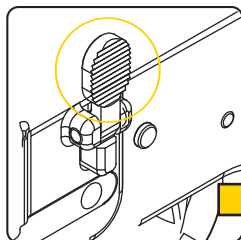
By pulling the charging handle the dummy bolt will fasten, and stay open. This allows you to adjust the hop up.

By giving rotation of the fixed direction to a BB, a lift is given and it flies horizontally toward a long distance target. Variable Hop Up allows you to tune the adjustment of that spin.

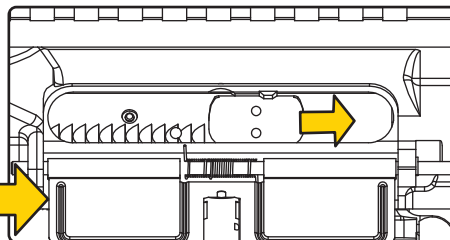
**⚠ WARNING:** Be careful not to catch your fingers in the dummy bolt.



Gradually turn the adjustment dial towards Hop to give hop up to the BB. The best setting is where bbs fly horizontally. To reduce hop up setting, rotate the hop up dial (Counter Clockwise) towards normal. To increase the hop up setting, rotate the hop up dial (Clockwise) towards hop.



To release the bolt, just press the bolt catch.

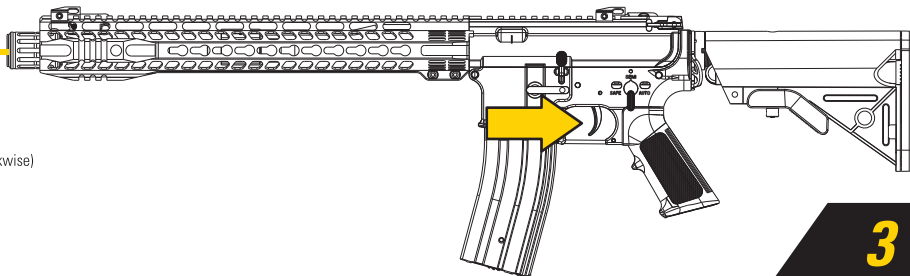


**⚠ WARNING:** Too much hop up may cause BBs to jam. If a jam occurs immediately dial back the hop up and test fire again. Otherwise damage and malfunctions will occur with the AEG.

● Wrong: Hop up is set to high, rotate the dial towards normal (Counter Clockwise)

Ideal ● ● ● ● ●

● Wrong: Hop up is set to low, rotate the dial towards hop (Clockwise)



## AIRSOFT SAFETY TAPE WARNING



Valken Incorporated is committed to providing our customers the very best Airsoft products in the marketplace. Recent government legislation has raised questions related to the appearance of air soft guns with regard to realism and potential confusion of non-game participants related to personal danger. This includes law enforcement officials who always deserve our utmost respect and support for their personal sacrifice to maintain the public safety.

As an airsoft gun owner it is your responsibility to operate your airsoft gun in a safe manner. This includes ensuring that non-game participants are not misinformed as to any potential danger to them or others. You are also required to ensure your airsoft gun meets all local, state or federal regulations. Never modify your airsoft gun so that it does not meet these requirements. Breach of any of these regulations could result in severe penalties. Anytime you see anyone who is not a game participant entering the field of play its best to stop the game and set down all airsoft guns slowly so to indicate their is no danger to uninvolved individuals. Never brandish or threaten anyone with an airsoft gun in any way. If you see law enforcement officials coming toward your playing area, you should immediately suspend the game and set you airsoft guns on the ground in a slow non-threatening manner.

To assist you in meeting any special marking requirements in your state we have included a special marking tape which can be easily applied to your product to ensure it meets the requirements. We have also included images of the required marking for airsoft guns used within California (after Dec 31st, 2015) and New York State. Please review these images and mark your airsoft gun so it resembles the images provided. The amount of tape provided is more than three times the amount required to complete this task. It is recommended you store the unused tape in a dry safe location for future use if needed. You should also review the various legal requirements for airsoft guns online on the appropriate government website. Always play safe and smart!

## CALIFORNIA REQUIRED MARKINGS



Apply the orange safety tape in the highlighted areas if you are in California.

## NEW YORK REQUIRED MARKINGS



Apply the orange safety tape in the highlighted areas if you are in New York.

**FOR MORE INFO VIEW OUR VIDEOS AT [VALKEN.COM](http://VALKEN.COM)**